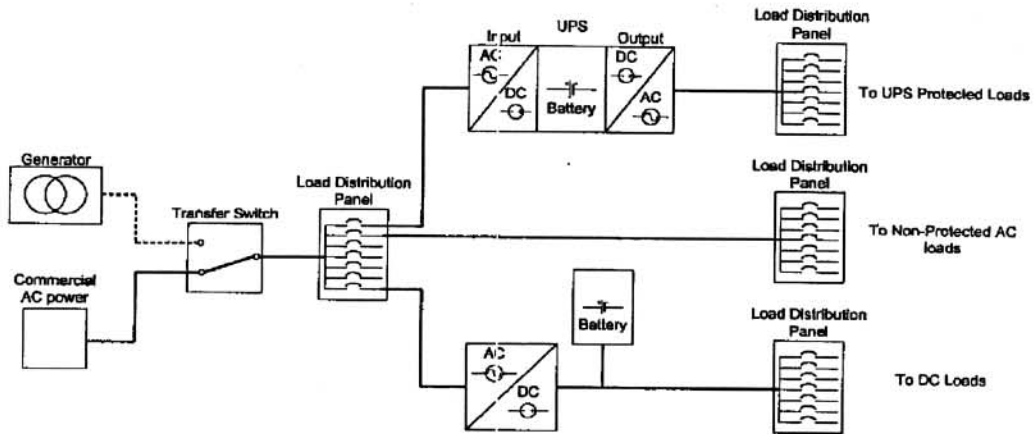
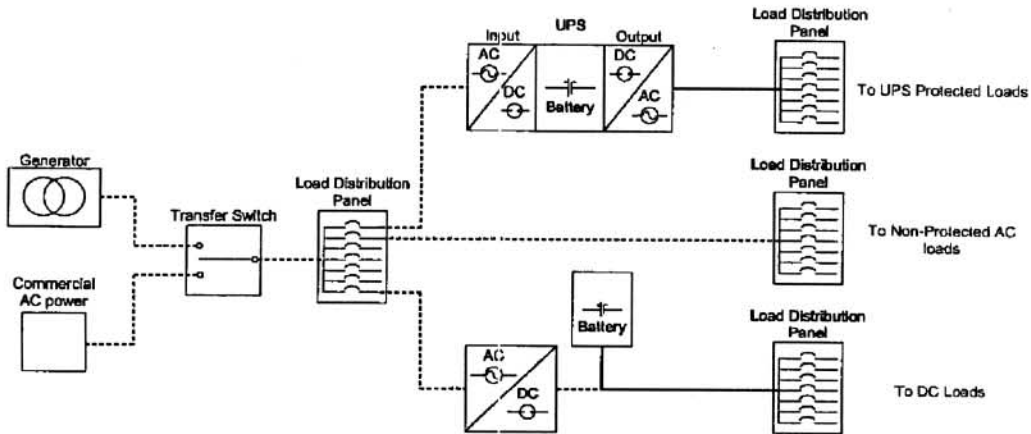


## Normal Operation



## Loss of Commercial Power Operation



## Generator / Emergency Operation

